

Sample Questions

Electrical Engineering

1. Which of the following is the reason of crawling in a 3- Φ SCIM?

- a. Unbalance supply voltage
- b. 7th space harmonic of air gap field
- c. 5th space harmonic
- d. None of these

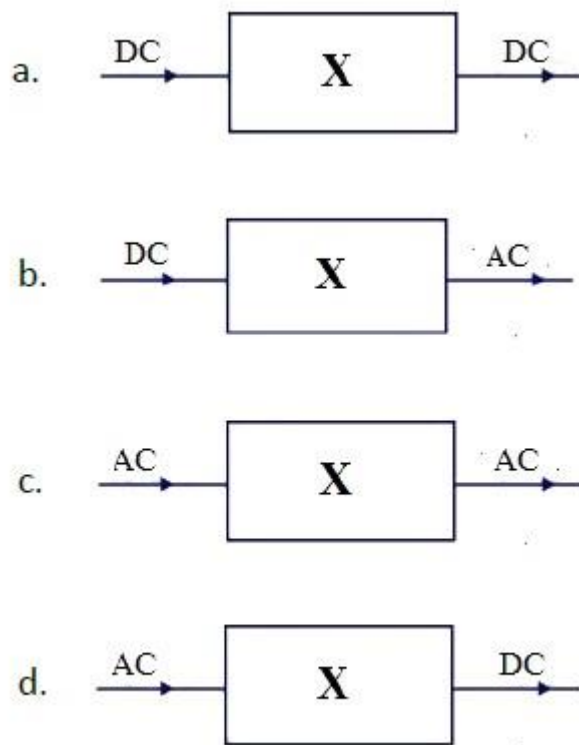
2. What is the time period of a triangular wave having a frequency of 500 Hz?

- a. 0.002 sec
- b. 0.0002 sec
- c. 0.02 sec
- d. 0.2 sec

3. Two sinusoidal signals having the same amplitude and frequency are applied to X and Y inputs of a CRO. The observed lissajous figure is a straight line. What will be the phase shift between the two signals?

- a. Zero
- b. 90°
- c. Either zero or 180°
- d. Either 90° or 270°

4. Which of the following block diagram describes the function of a cycloconverter



5. State whether the following is true or false Phase margin of a system specifies its relative stability.

- a. True
- b. False

6. The per unit impedance of a line, to a 50 MVA, 132 kV base, is 0.4. What will be the per unit impedance of a 100 MVA, 132 kV?

- a. 0.5
- b. 0.9
- c. 0.4
- d. 0.8

7. The output at any instant of time in a sequential circuit depends upon _____.

- a. the inputs at that instant of time
- b. past outputs as well as present inputs
- c. past inputs
- d. past outputs

8. Which of the following circuits is protected by metal oxide varistor?

- a. Anode circuit against over currents
- b. Gate circuit against over voltages
- c. Gate circuit against over currents
- d. Anode circuit against over voltages

9. In a torque voltage analogy, to which of the following is inductance analogous?

- a. Damping coefficient
- b. Moment of inertia
- c. Stiffness
- d. None of these